

## EBA Tipper Pump

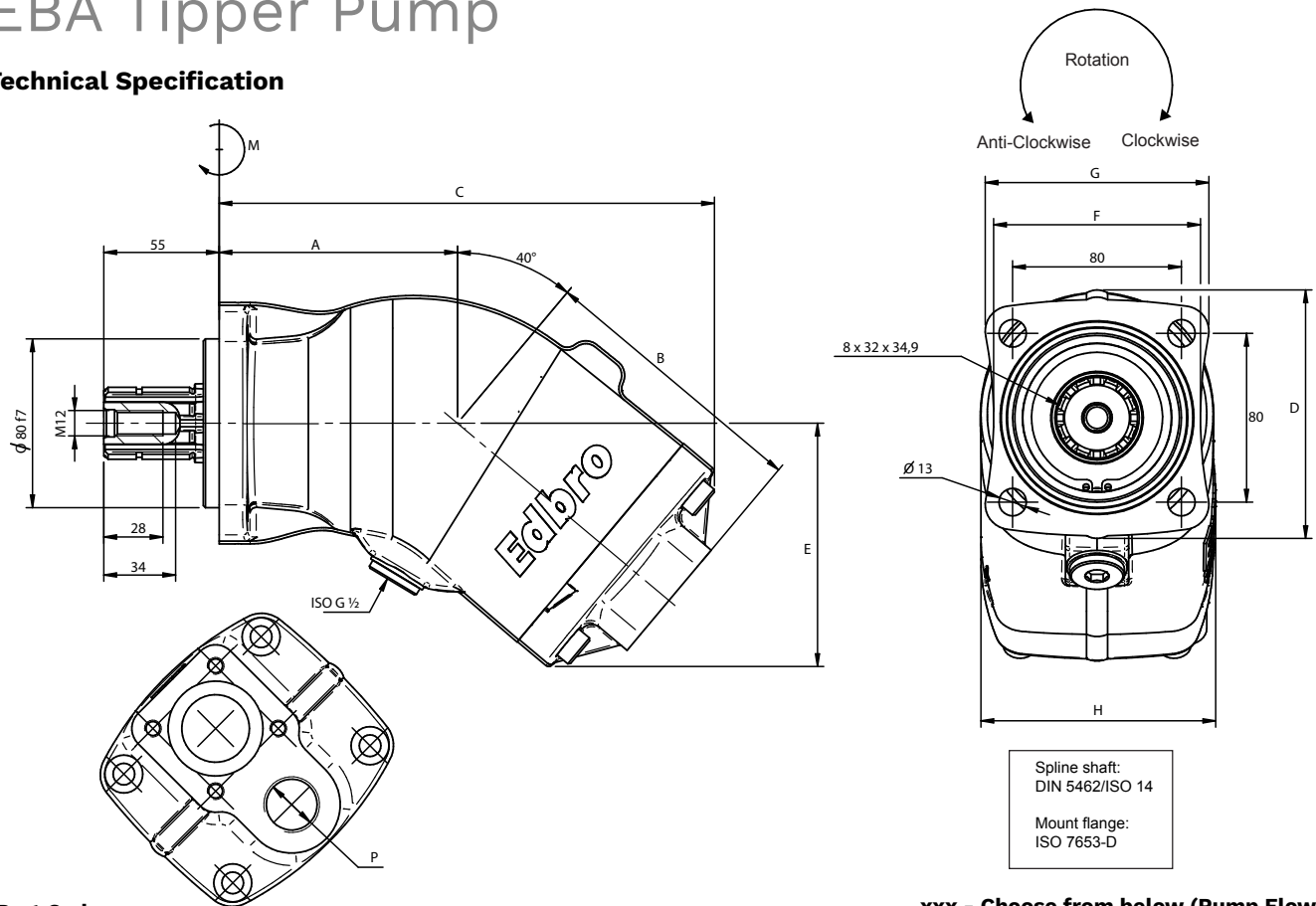


## Reliable Compact Designed Pump

- 47 to 130 cm<sup>3</sup> / rev displacement
- Medium pressure (300 bar mwp)
- Compact size for easy installation .
- Now with one piece lightweight aluminium casting
- Ideal for close coupled PTO mounting
- Reversible rotation whilst installed
- 4- Hole ISO7653 Mounting Flange

# EBA Tipper Pump

## Technical Specification



### Part Code:

EBA /xxx/30/#

### xxx - Choose from below (Pump Flow)

			047	064	090	130
Theoretical oil flow l / min at pump speed	rpm	500	23.5	31.8	45.0	65.0
		1000	47.1	63.6	90.0	130.0
		1500	70.6	95.4	135.0	195.0
Displacement	cm <sup>3</sup> /rev		47.1	63.6	90.0	195.0
Max pump speed	rpm	continuous	1900	1900	1500	1500
		limited	2500	2500	2000	2000
Max working pressure	bar		300	300	300	300
Weight	kg		9.8	9.8	9.8	13.9
Dimensions	mm	A	113	113	113	122
		B	131	131	131	147
		C	235	235	235	264
		D	118	118	118	127
		E	115	115	115	133
		F	98	98	98	98
		G	106	106	106	106
		H	111	111	111	118
	ISO G	P	3/4	3/4	3/4	1
Self-weight moment (M)	Nm	6.0	11.5	11.5	11.5	18.0

xxx- Pump Flow cc/rev

30- 300 bar

#- Direction of Rotation- Part codes ending in (C) will refer to Clockwise rotation, (A) will refer to Anti-clockwise rotation.

For installation and oil recommendations please refer to the General Instructions document. [www.technical.edbro.com](http://www.technical.edbro.com)

**JOIST ROCKINGER TRIDEC Edbro Quicke**

**JOIST UK Ltd**, Edbro House, Nelson Street, Bolton, BL3 2JJ, UK, Phone: +44 (0) 1204 528-888, Fax:+44 (0) 1204 531-957  
[www.jostuk.co.uk](http://www.jostuk.co.uk) [www.edbro.com](http://www.edbro.com)